

### PFS

The **PFS** probe is a hermetically sealed reed float switch that signals the presence of liquids. The probe resets immediately after the liquid presence of liquids drops below the activation level.

The unique design of the PFS probe integrator eliminates the need for additional power at the probe.

A **PFS** probe is available for the PAL-AT® or LiquidWatch® systems.

The **PFS** can easily be connected to a PAL-AT cable "sensing string" providing increased utilization of the PAL-AT capabilities. Each assembly includes a probe integrator with 60 ft (18 m) of jumper cable to connect to the sensing string, and 20 ft (6 m) of lead cable to attach the float switch to the probe integrator and a NEMA 4X junction box.

The **PFS** probe for LiquidWatch includes a ½" NPT cord grip and a probe adapter incorporated in the 20 ft (6 m) long probe lead wire. Additional lead wire is used if necessary.

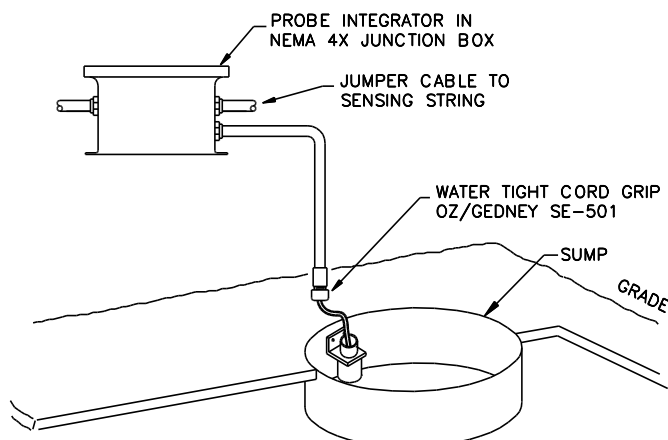
#### PAL-AT NOTE:

- A "-S" probe must be connected in the first 5,000 ft (1,500 m) of the sensing string.
- A "-L" probe must be connected more than 5,000 ft (1500 m) from the PAL-AT panel.
- Each probe integrator includes junction box, two connectors and three ½" NPT cord grips.

#### PART NUMBERS:

PAL-AT:	LiquidWatch:	
PFS-S 8027623	PFS-LW	8027902
PFS-L 8027910		
JBXHTM 8027883		

JBXHTM high temperature modification replaces polyester junction box with a fiberglass box.



#### PROBE TECHNICAL DATA:

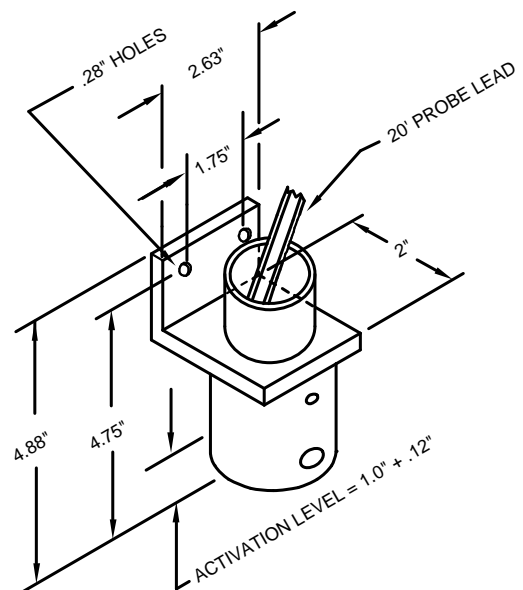
- Operating Temperature: -40°F to 176°F (-40°C to 80°C)
- Diameter: 1.63" (43 mm)
- Lead Length: 20 ft (6 m)
- Activation Level: Water: (S.G. = 1.0) 1.0" (25 mm)  
Oil: (S.G. = .75) 1.5" (37 mm)
- Housing: PVC
- Float: Buna-N
- Special Materials Available on Request

#### JUNCTION BOX: (PAL-AT ONLY)

- NEMA 4X (IP66): 10" x 8" x 4"  
(250 mm x 200 mm x 100 mm)
- Maximum Temperature: 150°F (65°C)
- Maximum Temperature of Probe Integrator 140°F (60°C)  
in Hazardous Areas
- JBXHTM enclosure available for maximum operating temperature of 176°F (80°C)

#### APPLICATIONS:

- Sumps
- Manholes



PFS FLOAT SWITCH W/ MOUNTING BRACKET